

PRODUCT INFORMATION PACKET

Model No: 5KC49SN8060T
Catalog No: C1273
1.5,3450,TENV,143T,1/60/115/230
Aeration Fan



Regal and Marathon are trademarks of Regal Beloit Corporation or one of its affiliated companies.

©2018 Regal Beloit Corporation, All Rights Reserved. MC017097E

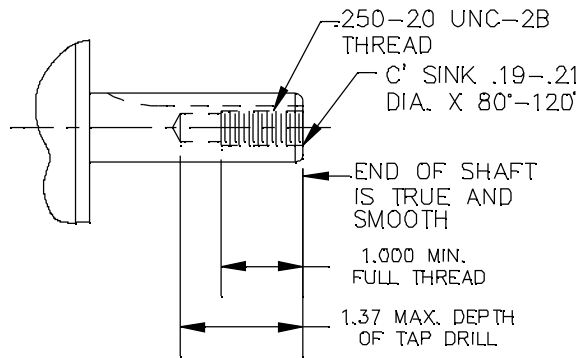
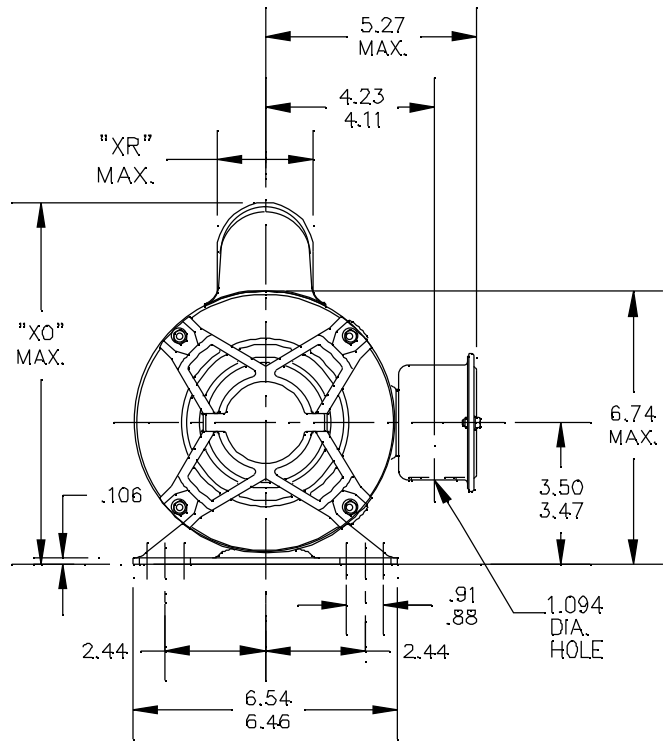
Nameplate Specifications

Output HP	1.5 Hp	Output KW	1.1 kW
Frequency	60 Hz	Voltage	115/230 V
Current	16.4,8.2 A	Speed	3450 rpm
Service Factor	1.3	Phase	1
Efficiency	74 %	Duty	Continous
Insulation Class	B	KVA Code	H
Frame	143T	Enclosure	Totally Enclosed Non Ventilated
Overload Protector	AUTO	Ambient Temperature	40 °C
Drive End Bearing Size	6205	Opp Drive End Bearing Size	6203
UL	Recognized	CSA	Yes
CE	N		

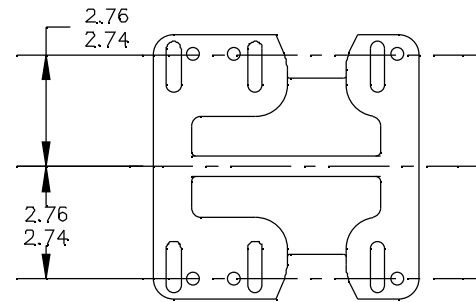
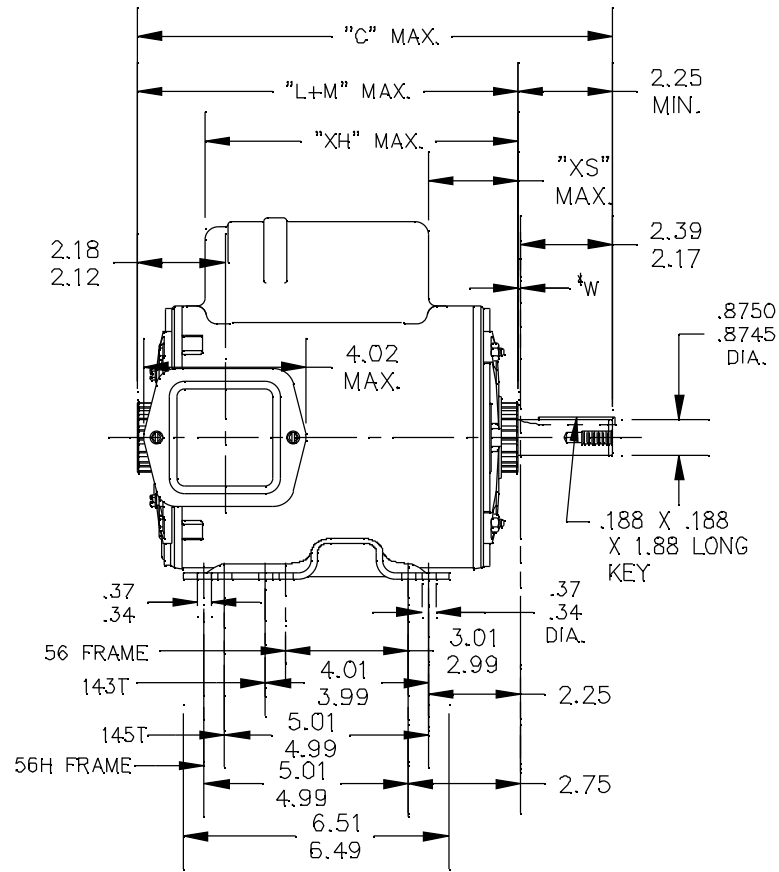
Technical Specifications

Electrical Type	Capacitor Start Induction Run	Starting Method	SM
Poles	2	Rotation	Counterclockwise/Clockwise
Mounting	Rigid Base	Motor Orientation	ANY
Drive End Bearing	BALL	Opp Drive End Bearing	BALL
Frame Material	Rolled Steel	Overall Length	12.28 in
Frame Length	7.68 in	Shaft Diameter	0.88 in
Shaft Extension	2.25 in		
Outline Drawing	52A109621P1	Connection Diagram	52A105383BA

This is an uncontrolled document once printed or downloaded and is subject to change without notice. Date Created: 10/08/2018



ENLARGED VIEW OF SHAFT EXTENSION



* W IS A VARIABLE CLEARANCE DUE TO VARIATIONS IN PARTS AND ASSEMBLY

ALL DIMENSIONS ARE IN INCHES

1	KC	49	143T 145T	12.28	10.01	8.30	8.95	2.40	2.64		7.68
P	TYPE	RBC SIZE	NEMA FR.	"C"	"L+M"	"XH"	"XO"	"XR"	"XS"		MIN. SHELL

				TOLERANCES UNLESS SPECIFIED		REGAL-BELOIT CORPORATION		DRAWN M.A.M 05/13/94			
				DEC.	INCHES			CHK			
				.X	±0.1	TITLE		SCALE 1=1			
				.XX	±0.02			OUTLINE		APPD M.A.M 05/13/94	
3	REDRAWN IN DRAFT SIGHT NO CHANGES	PVR 10/16/12	PKG	.XXX	±0.005	TENV - BEARING - WELDED BASE FMF - 40 FRAME REDESIGN (5KC49SN8060T)		REF			
2	TAPPING ADDED PER ISO9-1251	AMI 04/03/09		.XXXX	±0.0005	MAT'L.		FMF			
NO.	REVISION	BY & DATE	CHK	ANG	±1.0	FINISH		PREV			
THIS DRAWING IN DESIGN AND DETAIL IS OUR PROPERTY AND MUST NOT BE USED EXCEPT IN CONNECTION WITH OUR WORK ALL RIGHTS OF DESIGN AND INVENTION ARE RESERVED THIS IS AN ELECTRONICALLY GENERATED DOCUMENT - DO NOT SCALE THIS PRINT				RFP		CAD FILE	52A109621	SIZE	DRAWING NO.		REV.
				DIST				A	52A109621		3

